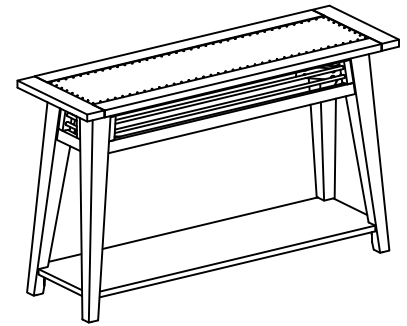


email: info@riverside-furniture.com


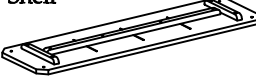
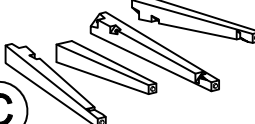
Warning:

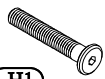
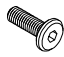





- Be sure to check all packing material carefully for small parts, which may have come loose inside the carton during shipment.
- To prevent possible scratches and damage, this furniture **MUST BE ASSEMBLED BY TWO PEOPLE** on a soft surface such as a blanket or carpet.



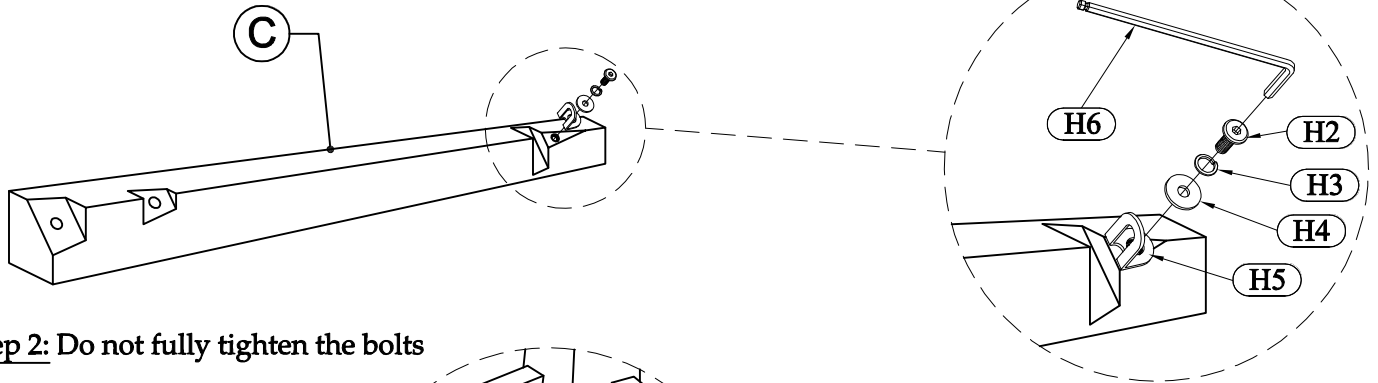
#12315 - Sofa Table

Components and Hardware List

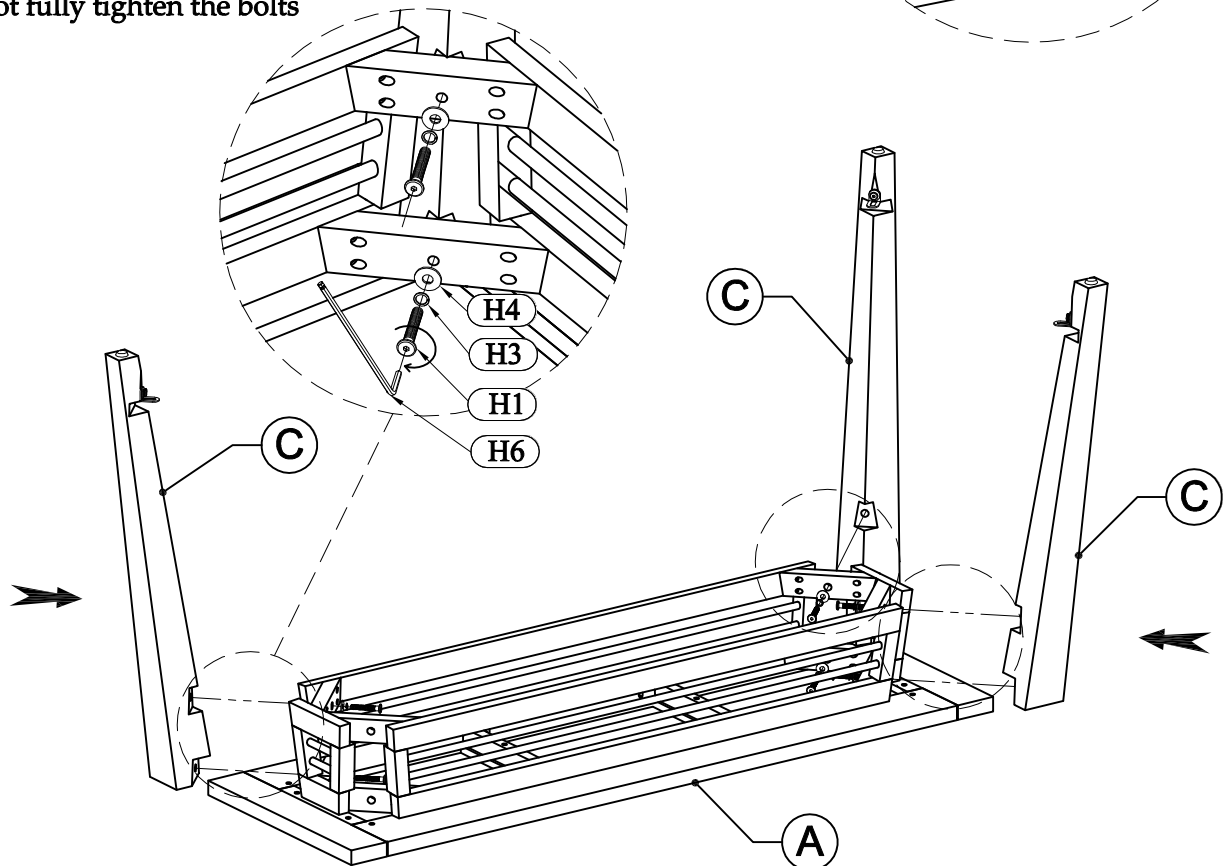
<p>Top</p>  <p>(A) 1 pc.</p>	<p>Shelf</p>  <p>(B) 1 pc.</p>	<p>Legs</p>  <p>(C) 4 pcs.</p>
--	--	---

<p>Allen Head Bolt M8-1.25x50mm</p>  <p>(H1) 8 pcs.</p>	<p>Allen Head Bolt M6-1x15mm</p>  <p>(H2) 8 pcs.</p>	<p>Lock Washer Ø9 x Ø13mm</p>  <p>(H3) 16 pcs.</p>	<p>Flat Washer Ø8 x Ø20mm</p>  <p>(H4) 16 pcs.</p>	<p>Bracket 19 x 22 x 30mm</p>  <p>(H5) 4 pcs.</p>	<p>Allen Key 4 x 110mm</p>  <p>(H6) 1 pc.</p>	<p>Anti Tipping</p>  <p>(H7) 1 pc.</p>
--	--	--	--	--	---	--

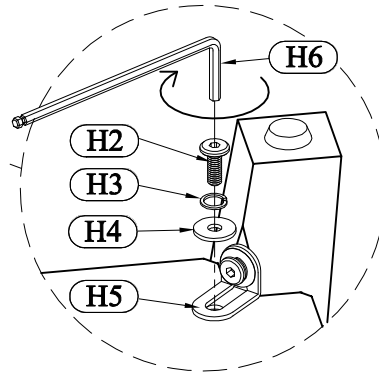
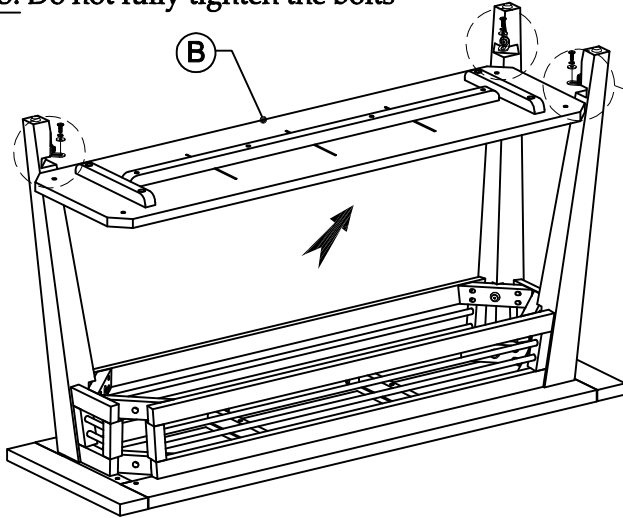
Step 1: Do not fully tighten the bolts



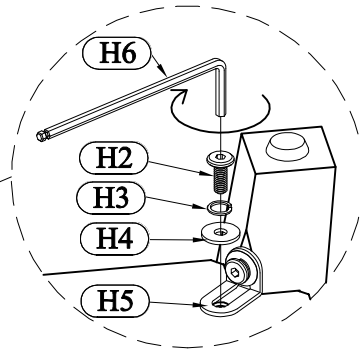
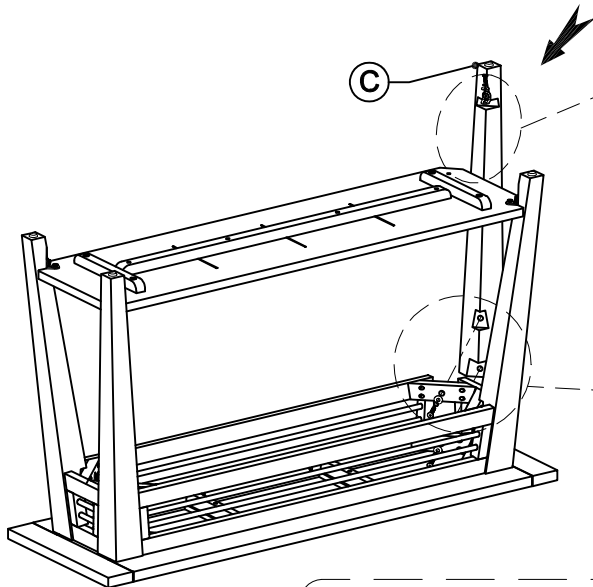
Step 2: Do not fully tighten the bolts



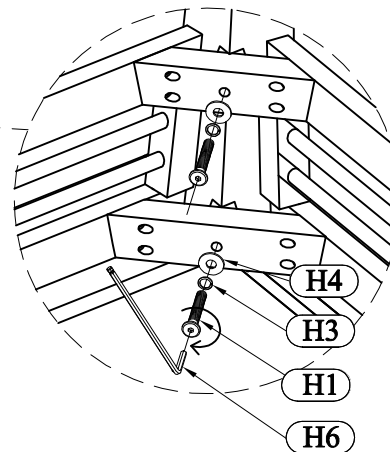
Step 3: Do not fully tighten the bolts



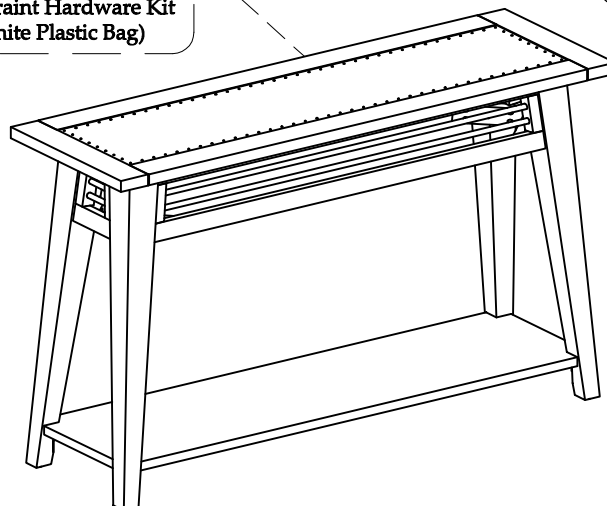
Step 4: Do not fully tighten the bolts



Step 5: Using the Allen Key to tighten all bolts



Step 6:



For product and personal safety, a Furniture Tipping Restraint kit has been included with this unit which can help to minimize the risk of the unit accidentally tipping forward, if used and properly installed per the kit manufacturer's instructions.